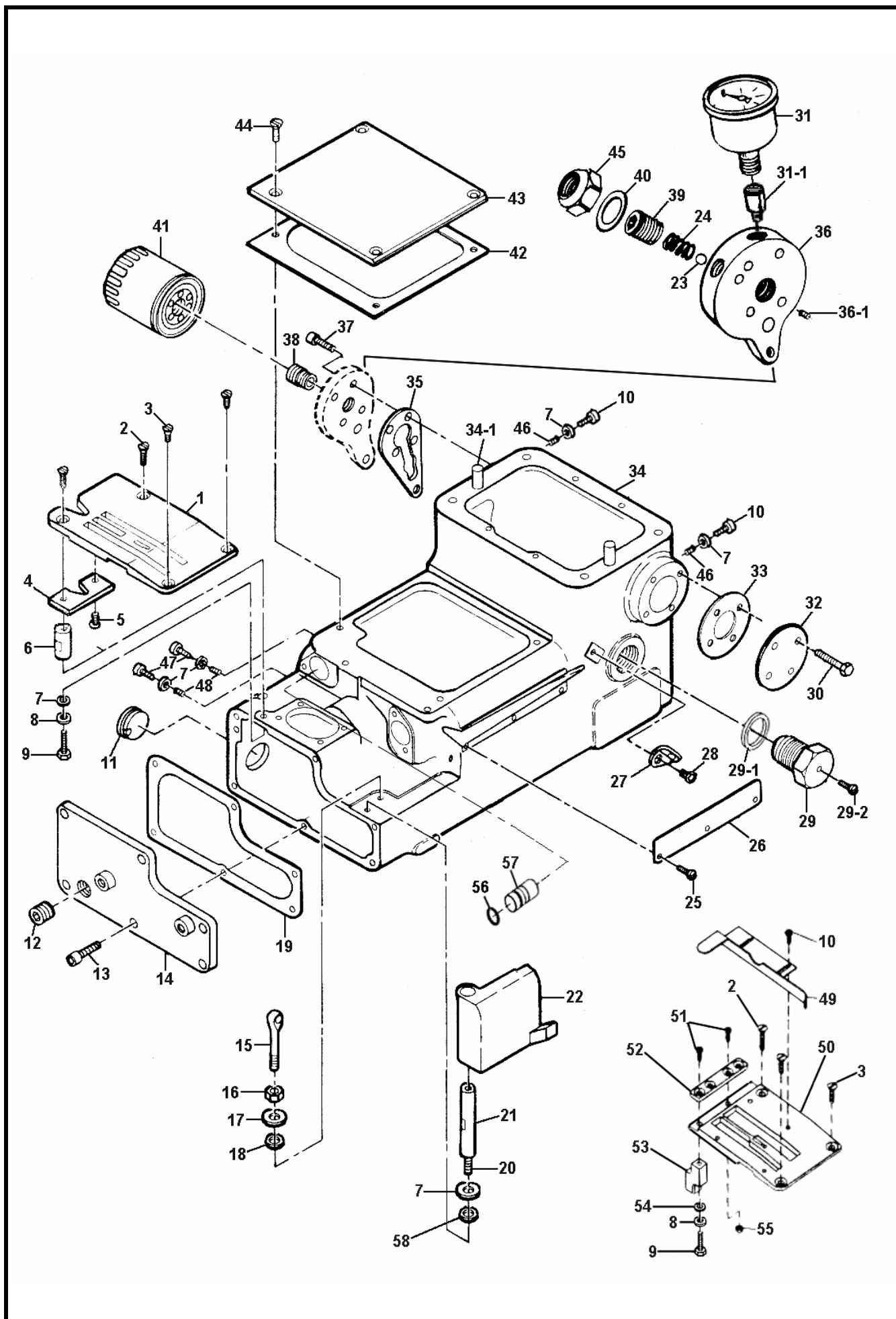


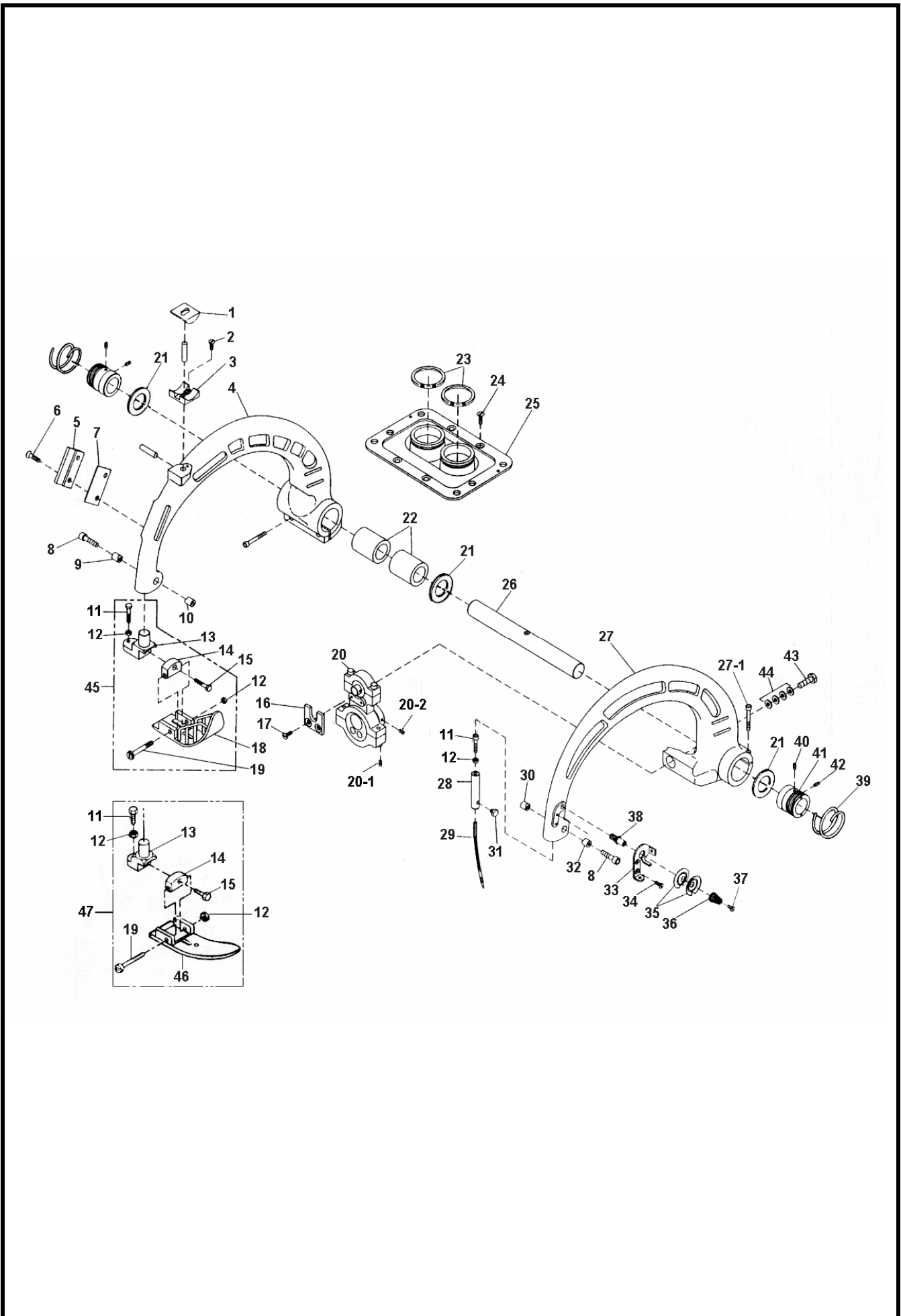
BAG CLOSER PARTS FOR F900A,F900AC



BAG CLOSER PARTS FOR F900A,F900AC

ITEM	PART NO.	DESCRIPTION
1 #	9000101	PLATE, THROAT
2	9000102	SCREW, FLAT HD #10-32X5/8
3	9000103	SCREW, FLAT HD #10-32X3/8
4 #	9000104	KNIFE, STATIONARY
5 #	9000105	SCREW, FLAT HD # 8-32X1/4
6 #	9000106	POST, SHORT - THROAT PLATE
7	9000107	WASHER, NYLON
8	9000108	WASHER, FLAT #10
9	9000109	SCREW, HEX HD #10-32X1/2
10	9000110	SCREW, BINDING HD #10-32X1/4
11	9000111	WINDOW, OIL LEVEL
12	9000112	PLUG, DRAIN - MAGNETIC
13	9000113	SCREW, WOC. CAP #10-32X5/8
14	9000114	COVER, BOTTOM
15	9000115	PULL-OFF-LOOPER THREAD
16	9000116	NUT, HEX
17	9000117	WASHER, FLAT #14
18	9000118	WASHER - NYLON
19	9000119	GASKET, COVER - BOTTOM
20	9000120	SCREW SOC. SET #10-32X1
21	9000121	POST, LONG - THROAT PLATE
22	9000122	DOOR, LOOPER
23	9000123	BALL, CHROME
24	9000124	SPRING, PRESSURE
25	9000125	SCREW, BINDING HD #6-32X3/16
26	9000126	COVER, GROOVE - THREAD
27	9000127	EYELET, THEAD - SHORT
28	9000128	SCREW, SOC. BUTTON # 10-32X1/2
29	9000129	ASS'Y, PLUG - BREATHER
29-1	9000129-1	O-RING 7/8 ID
29-2	9000129-2	SCREW
30	9000109	SCREW, HEX HD #10-32X1/2
31	9000131	GAUGE, OIL PRESSURE #60
31-1	9000131-1	FITTING, ADAPTER, 45DEG
32	9000132	PLATE, COVER -SIDE
33	9000133	GASKET, MAN SHAFT SEAL
34	9000134	HOUSING, MAIN
34-1	9000134-1	PIN
35	9000135	GASKET, COVER - MANIFOLD
36	9000136	MANIFOLD, FILTER
36-1	9000523	PLUG, PIPE
37	9000137	SCREW, SOC. CAP # 10-32 N.C.X3/4
38	9000138	NIPPLE, FILTER - OIL
39	9000139	PLUG, ADJUSTING - MANIFOLD
40	9000140	SEAL, NYLON
41	9000141	CARTRIDGE, OIL - FILTER
42	9000142	GASKET, COVER - TOP
43 #	9000143	PLATE, COVER - TOP
44	9000103	SCREW, FLAT HD #10-32X3/8
45	9000145	NUT, LOCK
46	9000242	SCREW, SET #10-32X3/16
47	9000237	SCREW, BINDING HD #10-32X3/8
48	9000311	SCREW, SET #10-32X5/16
49 @	9000149	FENCE, THROAT
50 @	9000150	THROAT PLATE, TAPE (STD)
51 @	9000151	SCREW, FLAT 8-32X1/2
52 @	9000152	KNIFE, BLADE-BED (WIDE)
53 @	9000153	POST-OFFSET
54 @	9000154	WASHER,NYLON
55 @	9000155	NUT, HEX 8-32
56 @	9000156	O-RING,5/8 ID
57 @	9000157	PLUG
58	9000212	NUT
#	FOR F900A	
@	FOR F900AC	

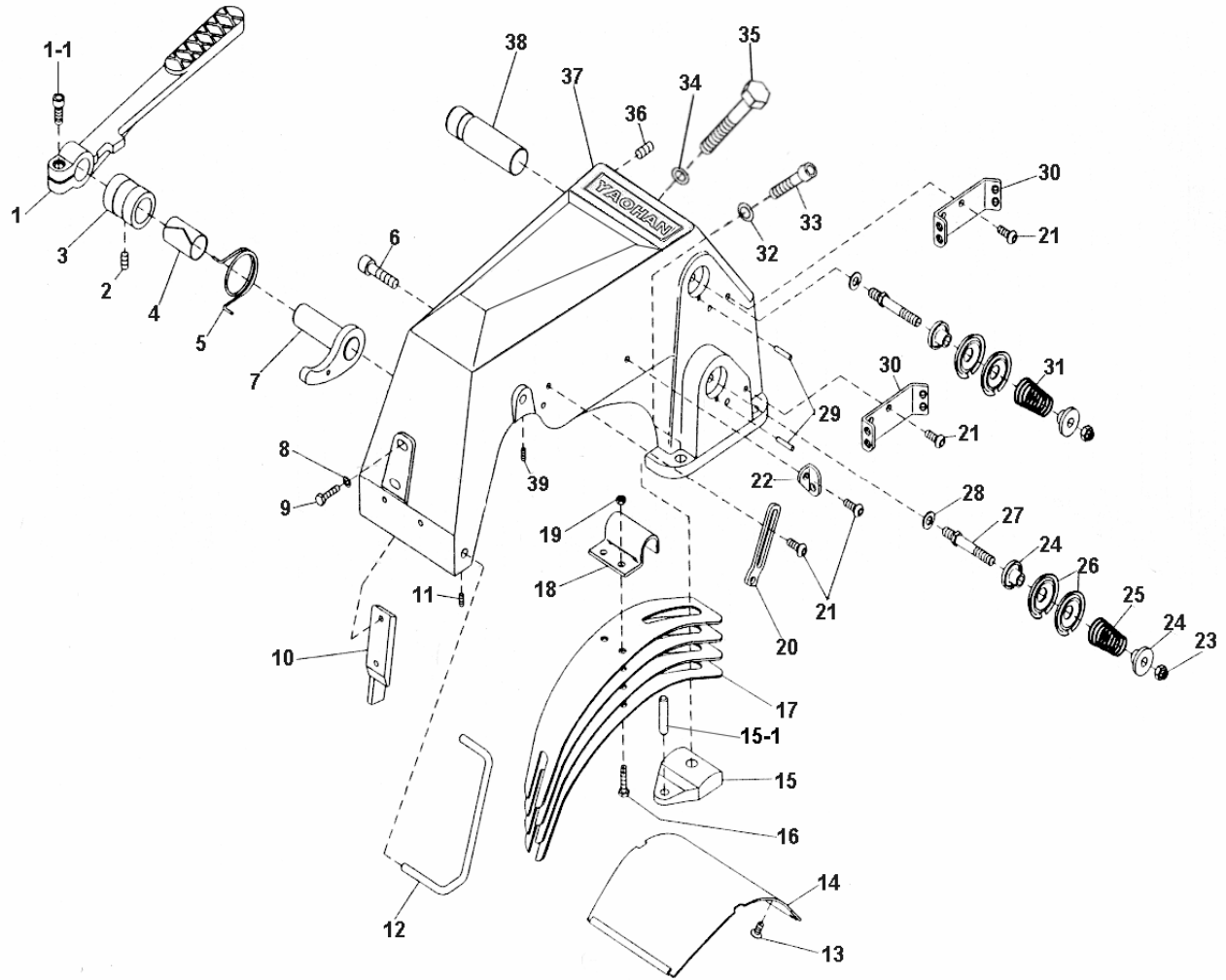
BAG CLOSER PARTS FOR F900A,F900AC



BAG CLOSER PARTS FOR F900A,F900AC

ITEM	PART NO.	DESCRIPTION
1	9000201	PAD, SPRING-PRESSER FOOT
2	9000202	SCREW, FLAT HD #6-32X1/4
3	9000203	CRADLE, PAD-PRESS. FT. SPG.
4	9000204	LEVER, PRESSER FOOT
4-1	9000204-1	SCREW, SOC. HD CAP 1/4-20X1
4-2	9000204-2	PIN, ROLL
5	9000205	CLAMP, BEARING-SHEET
6	9000102	SCREW, FLAT HD #10-32X5/8
7	9000207	SHEET, BEARING-PR. FT. LV. GD
8	9000208	SCREW, SOC. HD CAP #6-32X3/4
9	9000209	PLUG, CLAMP - DRILLED (PRESS. FT.)
10	9000210	PLUG, CLAMP - TAPPED (PRESS. FT.)
11	9000211	SCREW, HEX #10-32X3/4-GRADE 5
12	9000212	NUT
13	9000213	SHANK, PRESSER FOOT
14	9000214	BLOCK, HINGE-PRESSER FOOT
15	9000211	SCREW, HEX #10-32X3/4-GRADE 5
16	9000216	RETAINER, ROD-CONNECTING
17	9000103	SCREW, FLAT HD #10-32X3/8
18 #	9000218	PRESSER FOOT
19	9000219	BOLT, HINGEING-PRESSER FOOT
20	9000220	ROD, CONNECTING-NEEDLE DRIVE
20-1	9000220-1	SCREW, SET-CONE PT. 1/4-20X3/8
20-2	9000220-2	SCREW, SET 1/4-20X1/4
21	9000221	WASHER, THRUST
22	9000222	BUSHING, LEVER-PRESSER FOOT
23	9000223	SPRING, GARTER-LEVER SEAL
24	9000103	SCREW, FLAT HD #10-32X3/8
25	9000225	SEAL, LEVERS
26	9000226	SHAFT, LEVERS
27	9000227	LEVER, NEEDLE
27-1	9000227-1	SCREW, SOC. HD CAP 1/4-20X1-1/4
28	9000228	CHUCK, NEEDLE
29	9000229	NEEDLE
30	9000230	PLUG, CLAMP-TAPPED (NEEDLE LV.)
31	9000231	SCREW, CLAMP NEEDLE
32	9000232	PLUG, CLAMP-DRILLED (NEEDLE LV.)
33	9000233	GUIDE, THREAD-(NEEDLE LEVER)
34	9000234	SCREW, FLAT HD #5-40X3/8
35	9000235	DISC, TENSION-SMALL
36	9000236	SPRING, TENSION-(NEEDLE LEVER)
37	9000237	SCREW, BINDING HD #10-32X3/8
38	9000238	STUD, TENSION-(NEEDLE LEVER)
39	9000239	INSERT, THREAD-LVR SHFT BUSH'G
40	9000240	SCREW, SET #10-32X3/8
41	9000241	BUSHING, SHAFT LEVERS
42	9000242	SCREW, SET #10-32X3/16
43	9000243	SCREW, HEX 1/4-28X1/2-GRADE 5
44	9000244	WASHER, SPRING #14
45 #	9000245	ASSEMBLY, PRESSER FOOT
46 @	9000246	PRESSER FOOT, TAPE (WIDE)
47 @	9000247	ASSEMBLY, PRESSER FOOT, TAPE (WIDE)
#	FOR F900A	
@	FOR F900AC	

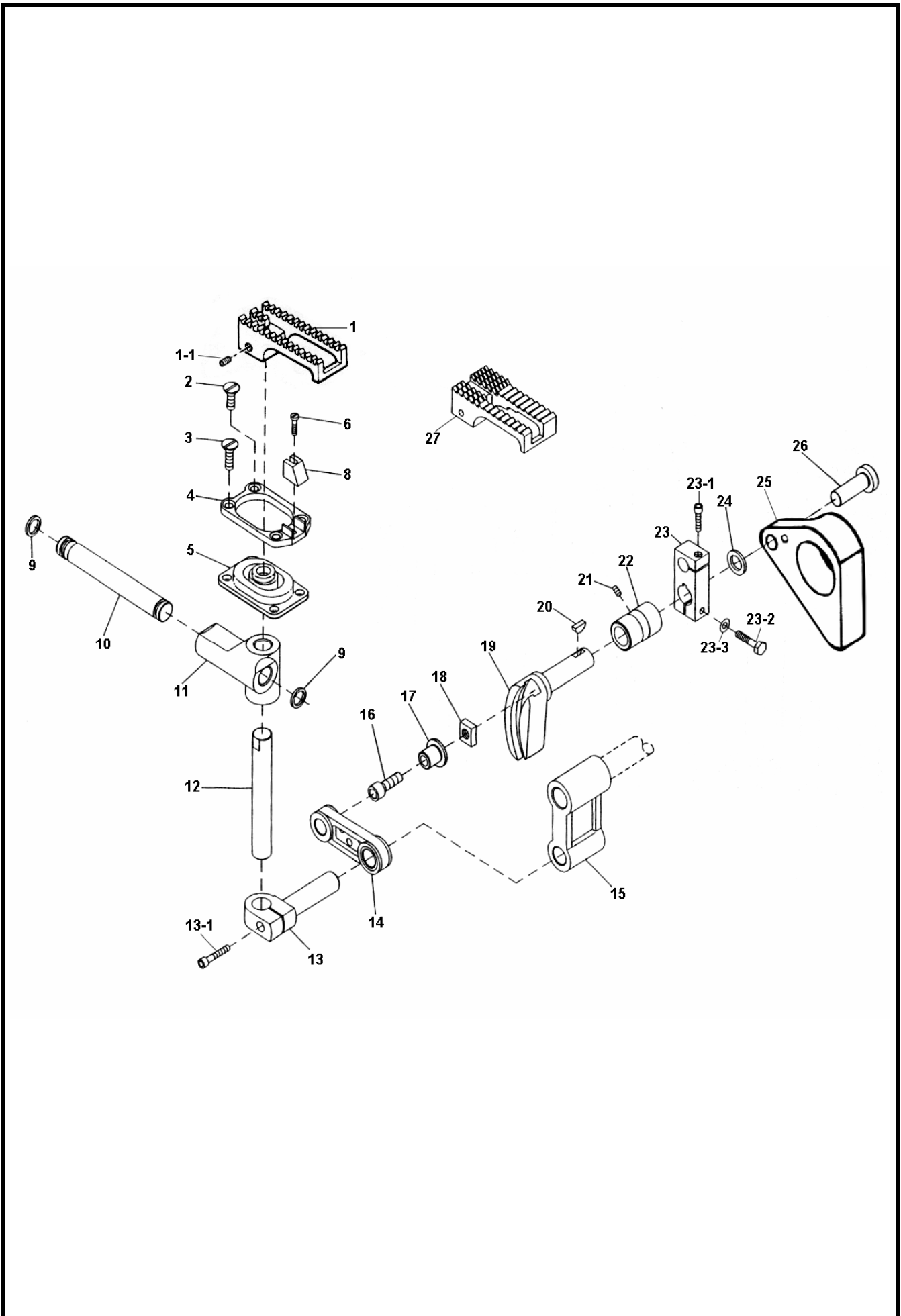
BAG CLOSER PARTS FOR F900A,F900AC



BAG CLOSER PARTS FOR F900A,F900AC

ITEM	PART NO.	DESCRIPTION
1	9000301	LEVER, LIFTER-PRESSURE FOOT
1-1	9000301-1	SCREW, SOC .CAP 1/4-20X3/4
2	9000220-2	SCREW, SET 1/4-20X1/4
3	9000303	BUSHING, LIFTER-PRESSER FOOT
4	9000304	LINER, BUSHING-LIFTER LEVER
5	9000305	SPRING, LIFTER LEVER
6	9000306	SCREW, STOP-LIFTER LEVER
7	9000307	CAM, LIFTER-PRESSER FOOT
8	9000308	WASHER, SPRING #10
9	9000309	SCREW, HEX HD #10-32X7/8
10	9000310	GUIDE, LEVER-PRESSER FOOT
11	9000311	SCREW, SET #10-32X5/16
12	9000312	GUARD, TENSION-NEEDLE
13	9000237	SCREW, BINDING HD #10-32X3/8
14	9000314	COVER, GUARD - LEVERS
15	9000315	PLATE, PRESS. FT. SPRG.-TAPPED
15-1	9000315-1	PIN, ROLL
16	9000211	SCREW, HEX HD #10-32X3/4
17	9000317	SPRING, PRESSER FOOT
18	9000318	CLAMP, SPRING-PRESSER FOOT
19	9000319	NUT, LOCK
20	9000320	PULL-OFF, NEEDLE THREAD
21	9000128	SCREW, SOC BUTTON #10-32X1/2
22	9000127	EYELET, THREAD-SHORT
23	9000323	NUT, 1/4-28-LOCKING
24	9000324	SLEEVE, TENSION
25	9000325	SPRING, TENSION-LOOPER THREAD
26	9000326	DISC, TENSION-LARGE
27	9000327	STUD, TENSION
28	9000328	WASHER, LOCK
29	9000329	PIN, RETAINING-TENSION DISC
30	9000330	EYELET, THREAD-LONG
31	9000331	SPRING, TENSION-NEEDLE THREAD
32	9000332	WASHER, SPRING
33	9000333	SCREW, SOC. CAP 5/16-18X1
34	9000334	WASHER
35	9000335	SCREW, ADJ. 3/8-24X1-3/4
36	9000336	SCREW, SET 1/4-20X3/8
37	9000337	HOUSING,LEVERS
38	9000338	SHAFT, SPRING-PRESSER FOOT
39	9000242	SCREW, SET #10-32X3/16

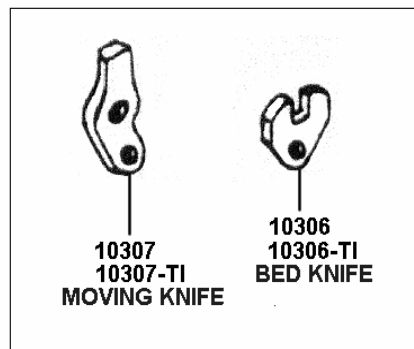
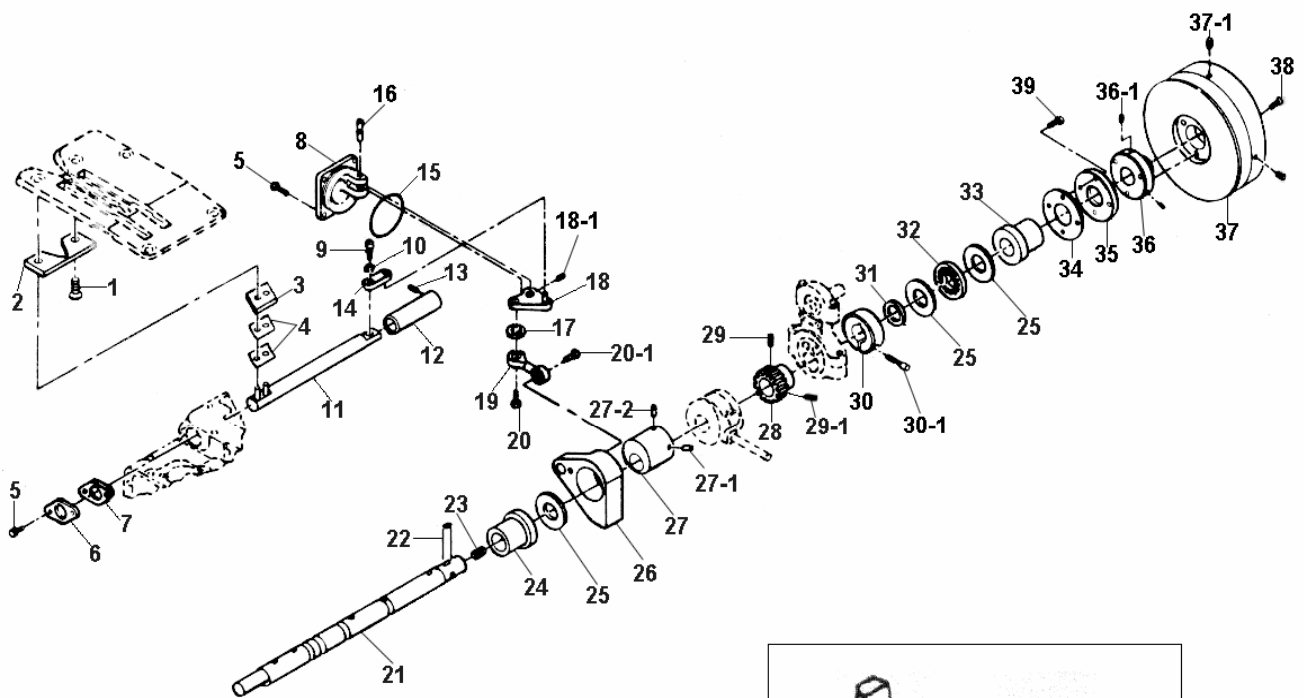
BAG CLOSER PARTS FOR F900A,F900AC



BAG CLOSER PARTS FOR F900A,F900AC

ITEM	PART NO.	DESCRIPTION
1 #	9000401	FEED DOG CTR.ROW OF TEETH HAS 4 TEETH
	9000401-1	FEED DOG CTR.ROW OF TEETH HAS 3 TEETH
1-1	9000311	SCREW, SET #10-32X5/16
2	9000103	SCREW, FLAT HD #10-32X3/8
3	9000403	SCREW, FLAT HD #10-32X1/2
4	9000404	HOLDER, GUAED-NEEDLE
5	9000405	SEAL, DOG - FEED
6	9000406	SCREW, PAN HD #5-40X9/16
8	9000408	GUARD, NEEDLE
9	9000409	RING, "O"
10	9000410	ROD, SLIDE - FEED
11	9000411	SLIDE, FEED
12	9000412	ROD, CARRIER - FEED DOG
13	9000413	CLAMP, ROD- FEED DOG CARRIER
13-1	9000413-1	SCREW, SOC. HD CAP 1/4-20X7/8
14	9000414	LINK, STROKE - FEED
15	9000415	LINK, LIFT - FEED
16	9000416	SCREW, SOC. HD CAP 1/4-28X7/8
17	9000417	PIVOT, ADJUSTING-FEED STROKE
18	9000418	NUT, PIVOT-FEED STROKE ADJ'G.
19	9000419	LEVER, SLOTTED-FEED ROCKER
20	9000420	KEY
21	9000311	SCREW, SET #10-32X5/16
22	9000422	BUSHING, SHAFT -FEED ROCKER
23	9000423	LEVER, PIN-FEED ROCKER
23-1	9000423-1	SCREW, SOC.HD CAP #5-40X1/2
23-2	9000211	SCREW, HEX #10-32X3/4-GRADE 5
23-3	9000108	WASHER, FLAT #10
24	9000424	WASHER, THRUST
25	9000425	ROD, CONNECT'G-PRIM.FEED STK.
26	9000426	PIN, ROD-FEED STROKE CONNECT
27 @	9000427	FEED DOG, TAPE (STD)
#	FOR F900A	
@	FOR F900AC	

BAG CLOSER PARTS FOR F900A,F900AC

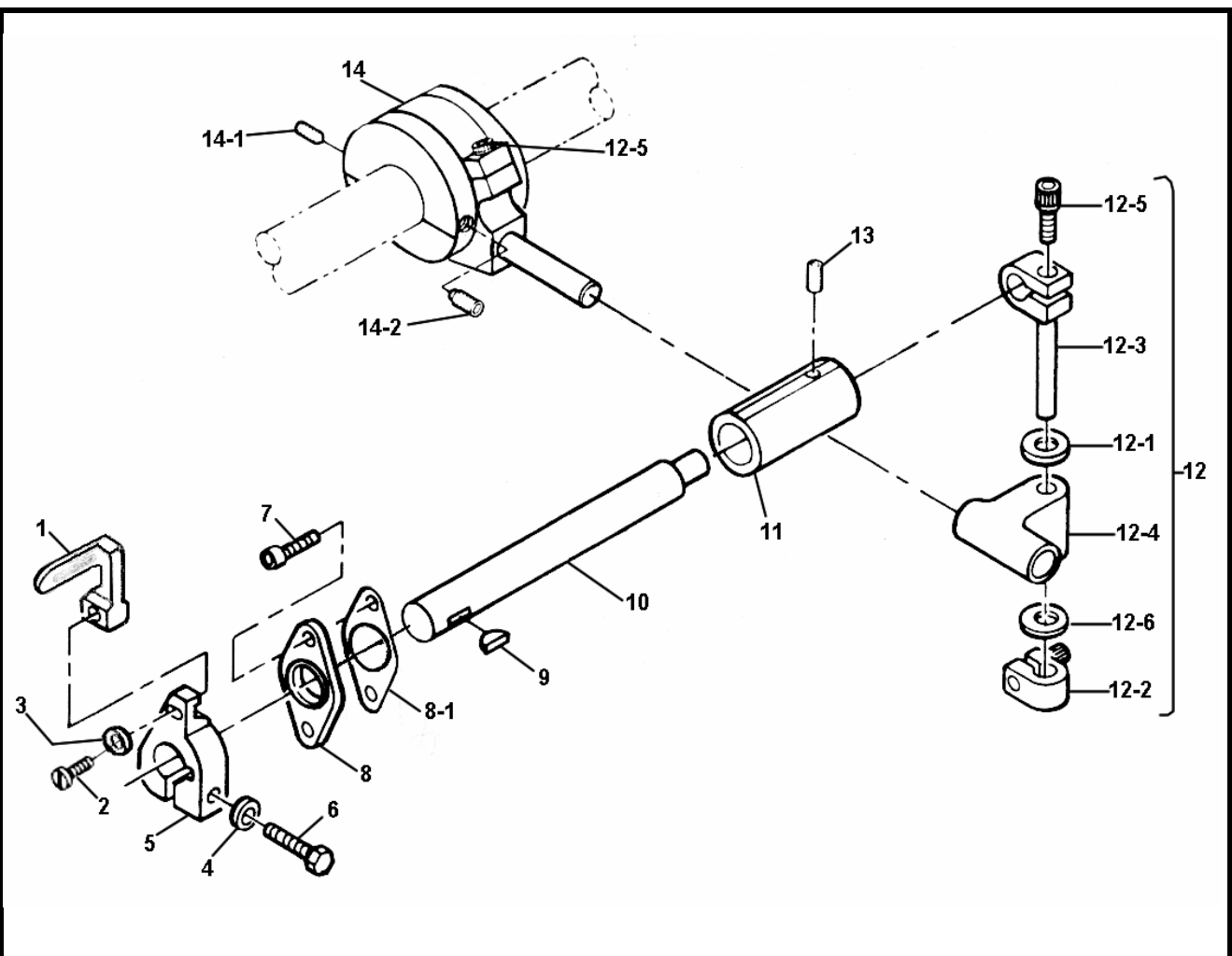


SPECIAL ORDER PARTS

BAG CLOSER PARTS FOR F900A,F900AC

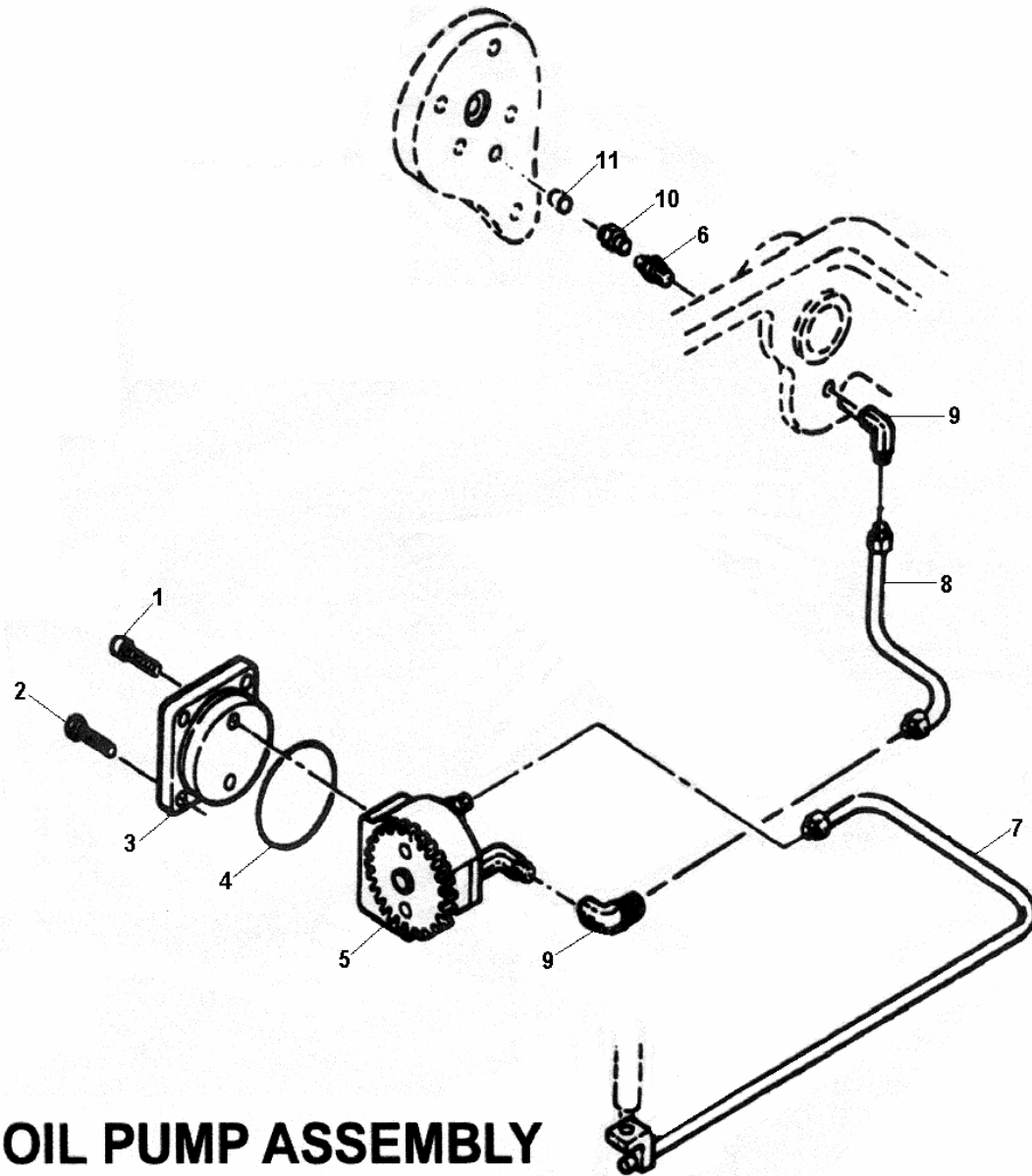
ITEM	PART NO.	DESCRIPTION
1 #	9000105	SCREW, FLAT HD #8-32X1/4
2 #	9000104	KNIFE, STATIONARY
3 #	9000503	KNIFE, MOVING
4 #	9000504	SPRING, KNIFE
5	9000128	SCREW, SOC. BUTTON # 10-32X1/2
6 #	9000506	ASSEMBLY, SEAL
7 #	9000507	GASKET
8	9000508	BRACKET, PIVOT - KNIFE
9 #	9000509	SCREW, PIVOT - KINFE
10 #	9000328	WASHER, LOCK
11 #	9000511	SHAFT, KNIFE
12 #	9000512	BUSHING, SHAFT - KNIFE
13	9000311	SCREW, SET #10-32X5/16
14 #	9000514	LINK, KNIFE
15	9000515	RING, "O"
16	9000516	SHAFT, BELL CRANK - KNIFE
17 #	9000108	WASHER, FLAT #10
18 #	9000518	CRANK, BELL - KNIFE
18-1 #	9000518-1	SCREW, SET #5-40X3/16
19 #	9000519	ASSEMBLY, CONNECT'G ROD - KNIFE
20 #	9000520	SCREW, HEX HD #10-32X5/8-GRD.5
20-1 #	9000520-1	SCREW, HEX HD #10-32X15/16
21	9000521	SHAFT, MAIN
22	9000420	KEY
23	9000523	PLUG, PIPE
24	9000524	BUSHING, MAIN SHAFT - NEEDLE END
25	9000221	WASHER, THRUST
26	9000425	ROD, CONNECT'G-PRIM. FEED STRK.
27	9000527	ECCENTRIC, STROKE - FEED
27-1	9000336	SCREW, SET 1/4-20X3/8
27-2	9000220-1	SCREW, SET -CONE PT. 1/4-20X3/8
28	9000528	GEAR, DRIVE - PUMP
29	9000529	SCREW, SET #8-32X3/16 CONE PT.
29-1	9000529-1	SCREW, SET #8-32X3/16
30	9000530	COLLAR, LOCK-MAIN SHAFT
30-1	9000530-1	SCREW, SOC.HD CAP 1/4-28X5/8
31	9000531	"O" RING
32	9000532	BEARING THRUST
33	9000533	BUSHING,MAIN SHAFT - DRIVE END
34	9000133	GASKET, MAIN SHAFT SEAL
35	9000535	ASSEMBLY, SEAL-MAIN SHAFT
36	9000536	HUB, PULLEY
36-1	9000336	SCREW, SET 1/4-20X3/8
37	9000537	PULLEY, ADJUSTABLE
37-1	9000336	SCREW, SET 1/4-20X3/8
38	9000102	SCREW, FLAT HD #10-32X5/8
39	9000539	SCREW, SOC.HD CAP #10-32X1/2
#	FOR F900A	

BAG CLOSER PARTS FOR F900A,F900AC



ITEM	PART NO.	DESCRIPTION
1	9000601	LOOPER (TEO THREAD)
2	9000406	SCREW, PAN HD.#5-40X9/16
3	9000603	WASHER #5
4	9000108	WASHER, FLAT #10
5	9000605	HOLDER, LOOPER
6	9000211	SCREW, HEX #10-32X3/4 GRADE 5
7	9000128	SCREW, SOC. BUTTON # 10-32X1/2
8	9000506	ASSEMBLY, SEAL
8-1	9000507	GASKET
9	9000420	KEY
10	9000610	SHAFT, LOOPER
11	9000512	BUSHING, SHAFT - LOOPER
12	9000612	ASS'Y PIVOT - LOOPER
12-1	9000612-1	THRUST WASHER
12-2	9000612-2	CLAMP
12-3	9000612-3	PIN, PIVOT - LOOPER
12-4	9000612-4	KNUCKLE, PIVOT - LOOPER
12-5	9000113	SCREW, WOC. CAP #10-32X5/8
12-6	9000423-1	SCREW, SOC.HD CAP #5-40X1/2
13	9000311	SCREW, SET #10-32X5/16
14	9000614	ASS'Y CAM - LOOPER
14-1	9000614-1	SCREW, SET-CONE PT.#10-32X5/8
14-2	9000614-2	SCREW, SET #10-32X1/2-NYLOC

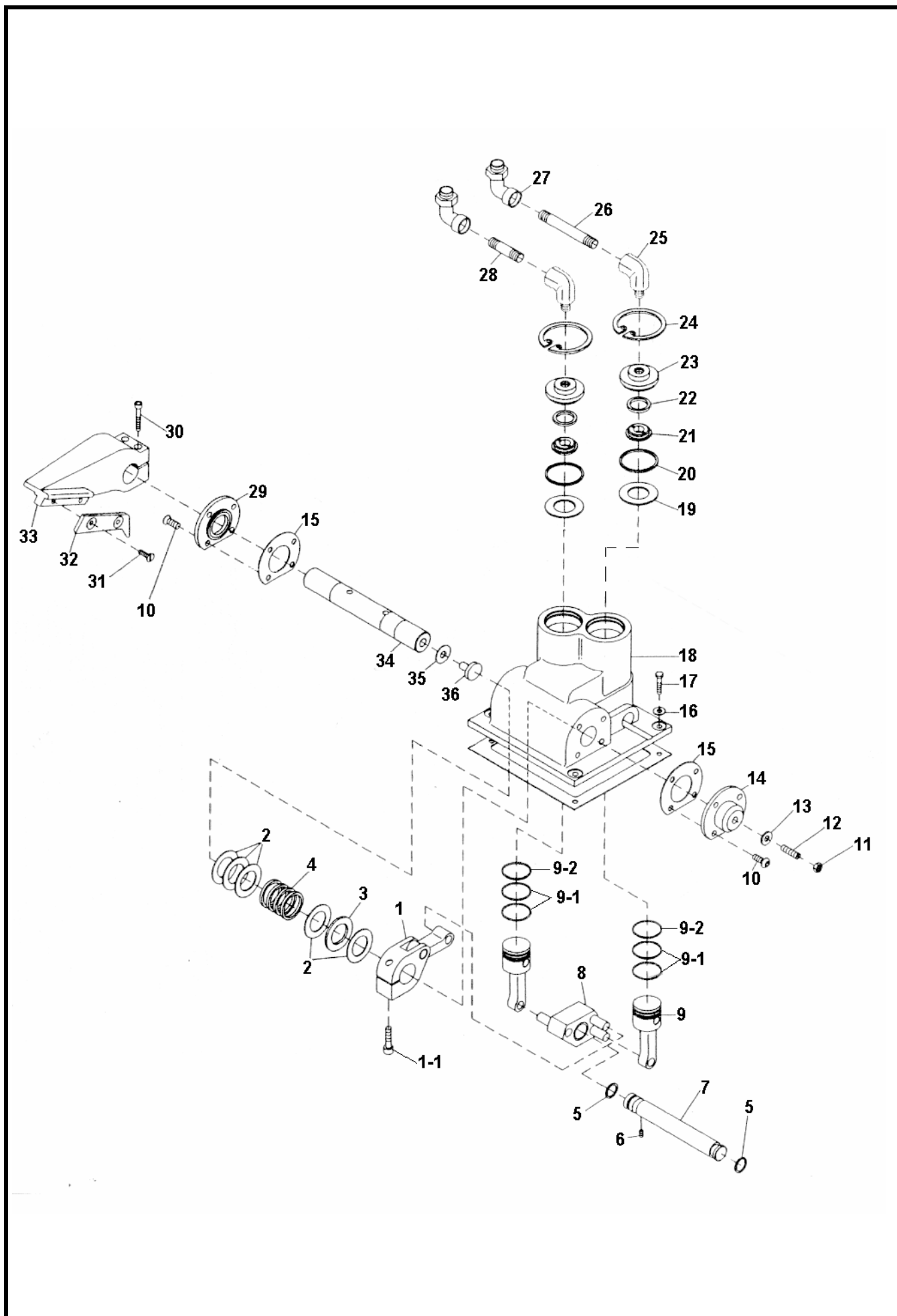
BAG CLOSER PARTS FOR F900A,F900AC



OIL PUMP ASSEMBLY

ITEM	PART NO.	DESCRIPTION
1	9000701	SCREW, SOC. CAP #10-32X7/8
2	9000109	SCREW, HEX HD #10-32X1/2
3	9000703	MOUNT PUMP
4	9000515	RING "O"
5	9000705	ASSEMBLY GEAR-PUMP
6	9000706	FITTING, PIPE STRATGHT
7	9000707	OIL LINE, SUPPLY
8	9000708	OIL LINE, PRESSURE
9	9000709	FITTING, COMPRESSION ELBOW
10	9000710	TUBING, COPPER
11	9000711	BUSHING, NEOPRENE

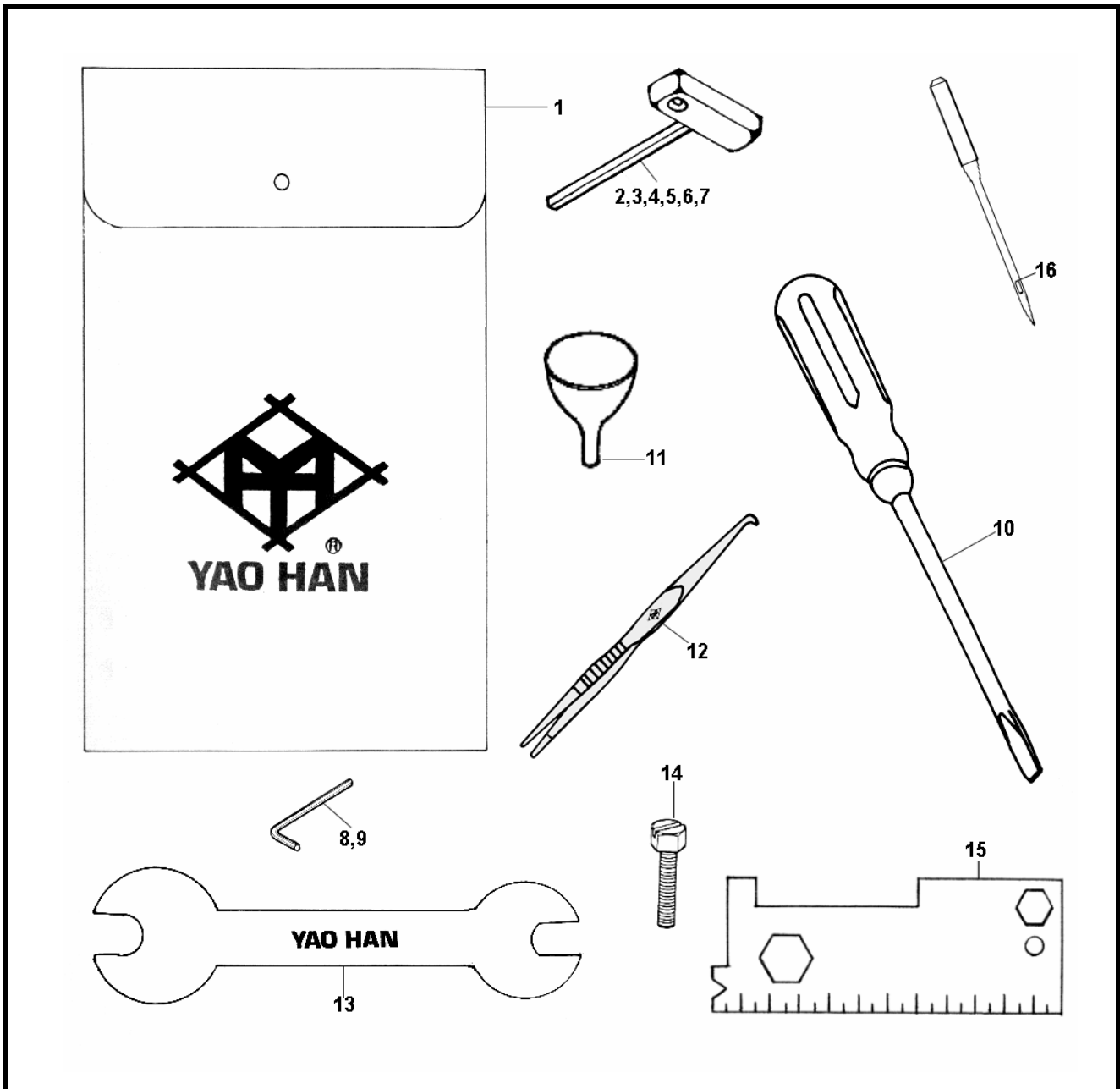
BAG CLOSER PARTS FOR F900AC



BAG CLOSER PARTS FOR F900AC

ITEM	PART NO.	DESCRIPTION
1	9000801	ASSEMBLY, LEVER CUTTER
1-1	9000204-1	SCREW, SOC. HD CAP 1/4-20X1
2	9000221	WASHER, THRUST
3	9000532	BEARING THRUST
4	9000804	SPRING, COMPRESSION
5	9000805	O-RING, CRANKSHAFT
6	9000242	SCREW, SET #10-32X3/16
7	9000807	CRANKSHAFT
8	9000808	ASSEMBLY, CRANK
9	9000809	ASSEMBLY, PISTON-TAPE CLIPPER
9-1	9000809-1	RING, BACKUP
9-2	9000809-2	U-CUP
10	9000810	SCREW,10-32X1/4
11	9000811	NUT, 1/4-28
12	9000812	SCREW, ADJUSTING
13	9000118	WASHER - NYLON
14	9000814	PLATE, COVER
15	9000815	GASKET
16	9000816	WASHER, COMPRESSION
17	9000817	SCREW, #10-32X5/8
18	9000818	HOUSING, CUTTER
19	9000819	WASHER, HEAD CYLINDER
20	9000820	O-RING, CYLINDER HEAD
21	9000821	PLATE, BUMPER
22	9000822	RING, BUMPER
23	9000823	HEAD, CYLINDER
24	9000824	RING, SNAP
25	9000825	FITTING, STREET ELBOW
26	9000826	FITTING, NIPPLE LONG
27	9000827	FITTING ELBOW FEMALE
28	9000828	FITTING, NIPPLE SHORT
29	9000829	ASSEMBLY, SEAL-SHAFT
30	9000227-1	SCREW, SOC. HD CAP 1/4-20X1-1/4
31	9000403	SCREW, FLAT HD #10-32X1/2
32	9000832	KNIFE, MOVING
33	9000833	LEVER, KNIFE
34	9000834	SHAFT, KNIFE
35	9000835	WASHER, THRUST
36	9000836	SHAFT, THRUST

BAG CLOSER PARTS FOR F900A,F900AC



ITEM	PART NO.	DESCRIPTION
1	9000901	ACCESSORY BAG
2	9000902	T-TYPE ALLEN KEY 3/16"
3	9000903	T-TYPE ALLEN KEY 1/4"
4	9000904	T-TYPE ALLEN KEY 1/8"
5	9000905	T-TYPE ALLEN KEY 5/32"
6	9000906	T-TYPE ALLEN KEY 3/32"
7	9000907	T-TYPE ALLEN KEY 7/64"
8	9000908	ALLEN KEY 10MM
9	9000909	ALLEN KEY 1/16"
10	9000910	SCREWDRIVER
11	9000911	OIL FUNNEL
12	9000912	TWEEZERS
13	9000913	OPEN-TYPE WRENCH
14	9000914	SCREW, HEX 3/8-16X1-1/4"
15	9000915	ADJUSTING GAUGE
16	9000229	NEEDLE